

360 Surround View System

Protecting our future
with over 115 years of
manufacturing experience
and engineering
in automotive vision safety.



SAFE-T-SCOPE® 360AHD™ 3D SURROUND VIEW SYSTEM

P/N: STSK360AHD



3D AHD Surround View System

Commercial grade, surround view system for trucks, buses and other commercial vehicles.

Rosco's Safe-T-Scope® 360AHD is a commercial grade, surround view, and aerial camera system developed to reduce collisions and increase safety in-and around the bus. The enhanced 3D technology enables the driver to see views of the bus, at all angles, covering crucial blind zones where visibility is otherwise lost.



Features

- 2D & 3D 360° views
- 16 different viewing options
- Full screen backup view for safe reversing
- Trigger options for automatic view changes and automatic power-off delay
- Adjustable angles for optimal views
- Quick, auto self-calibration
- Customizeable triggered views



360 2D/3D AHD SURROUND VIEW SYSTEM ECU, 4 CAMERAS AND CABLES



**High-Performance
ECU Built for
Commercial
Demands**

- Meets the requirements of FMVSS 111 rear visibility standards.*
- Increases driver awareness.
- Provides visual coverage of blind zones that are pertinent to large vehicles.
- Reduces risks of collisions with other vehicles and Vulnerable Road Users (VRUs).
- Provides clear vision all around the perimeter of the vehicle to ensure optimal visibility on narrow roadways.
- Offers peace of mind for operators to operate vehicles safely and efficiently.

The driver is always responsible for the safe operation of the vehicle at all times. Rosco camera systems do not replace the need for a skilled, alert professional driver, observing appropriately, and using safe driving practices. The driver shall conform with corporate backing policy at all times.

360AHD Base kit (monitor not included)

What's included in the base kit?



STSK360AHD PARTS LIST

Rosco P/N	Description	Qty
STSK360AHDECU	ECU (Electronic Controls Unit)	1
STSC360AHD	AHD Camera	4
STSA5785	34-button remote control	1
STSA1040	Infrared extension cable	1
STSK360AHDPHAR	Power Harness	1
STSK360AHDARA	Video Input Harness	1
STSK360AHDHARB	4CH Video Output Harness	1
STSH556	Video Extension Harness (65 ft.)	3
STSH557	Video Extension Harness (33 ft.)	1
STSH642	6Pin to 4Pin Adapter Cable	1

Monitor options (compatible with STSK360AHD base kit)

Rosco P/N	Description	Display Size	Resolution	Additional Features
STSM1030HD	10" x 30" MOR-Vision® Mirror with 7" HD Monitor	7"	1080P	Mirror / monitor combo 2-channel inputs
STSM307	7" HD Replacement Monitor for MOR-Vision® products	7"	1080P	Monitor only for MOR-vision parts 2-channel inputs
STSM351	7" HD Color Monitor with Two Inputs	7"	1080P	Standalone monitor w/ sunshade 2-channel inputs
STSM370	10" 1080P, Quad-View Touchscreen HD Monitor	10"	1080P	Standalone monitor w/ sunshade 4-channel inputs, touchscreen
STSM530HD	6" x 16" MOR-Vision® Mirror with 7" HD Monitor	7"	1080P	Mirror / monitor combo 2-channel inputs
STSM630HD	6" x 30" AHD LCD Mirror/Monitor for MOR-Vision®	7"	1080P	Mirror / monitor combo
STSM630HDLA	6" x 30" AHD LCD Mirror/Monitor for MOR-Vision® with Leverlock	7"	1080P	Includes Leverlock functionality



Auto Calibration offers quick setup and image stitching



STSA1102 (required for calibration)
Calibration kit including (4) Special Industrial Grade Calibration Mats

Recommended Add-ons & Features

360AHD Full kits including monitors



STSK360AHD10 360AHD 10" Monitor Kit

Includes all components of the STSK360AHD base kit + 10" touchscreen monitor STSM370



STSK360AHD07 360AHD 7" Monitor Kit

Includes all components of the STSK360AHD base kit + 7" LCD monitor STSM351

360AHD Monitor Views



Right turn triggered view (artic bus)



Forward camera view (van)



3D 360 view on 10" touchscreen monitor with articulated bus.

Various vehicle options available to match fleet vehicles.



STSM630HD
MOR-Vision Mirror/ Monitor
360AHD left side view (school bus)

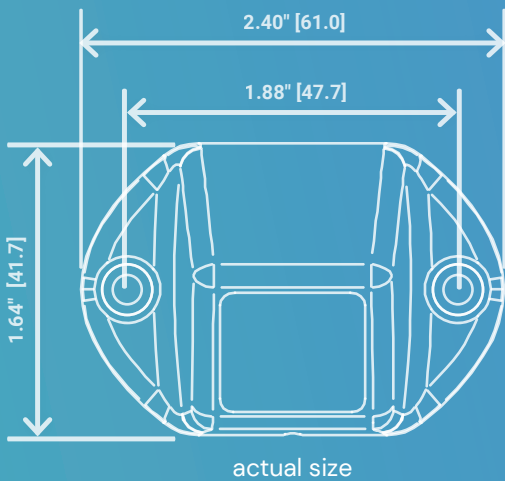


360AHD Now integrates with DV6 video recording.

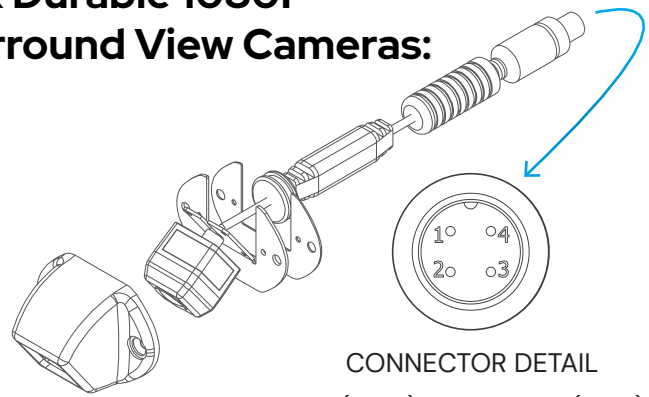
With RoscoLive, DV6 gives fleet managers real-time visibility of their fleets. When an exception occurs, it's easier than ever for fleet managers to find out what happened and why it happened.

CAMERA

P/N: STSC360AHD



4 X Durable 1080P Surround View Cameras:



CONNECTOR DETAIL

- 1. RED (PWR)
- 2. BLACK (GND)
- 3. NC (GND)
- 4. WHITE (VIDEO)

Specification	Value
Image Device	1/2.9" 2 Mega CMOS
Resolution	1920 (H) x 1080 (V)
Pixel Size	2.8 μm x 2.8 μm
Compression	1080P
Video Output	1.0 Vp-p, 75 ohm
White Balance	Auto
Viewing Angle	>170° (Horizontal)
Power Supply	12V
Working Temperature Range	-20°C ~ +70°C (-4°F to 158°F), RH 95% Max
Storage Temperature	-30°C ~ +80°C (-22°F to 176°F), RH 95% Max
Waterproof Rating	IP69K
Diagonal FOV	190°
Environmental Rating	ROHS

HD Resolution:

Full HD 1920x1080 resolution ensures sharp and clear visuals.

Wide Viewing Angle:

Over 170° horizontal field of view for maximum coverage and situational awareness.

IP69K Waterproof Rating:

Offers superior protection against water, dust, and extreme weather conditions.

Temperature Tolerance:

Operates reliably in harsh environments with a working temperature range of -20°C to +70°C (-4°F to 158°F) and storage range of -30°C to +80°C (-22°F to 176°F).

Compact CMOS Sensor:

Equipped with a 1/2.9" 2 Mega CMOS sensor for exceptional image quality.

Auto White Balance:

Adapts to various lighting conditions for optimal clarity.

Durable Design:

Engineered for long-lasting performance in rugged applications.

Universal Compatibility:

Operates with a 12V power supply, making it versatile for a variety of setups.

1.64
[41.7]



rosco
VISION

**Over 115 years of
automotive vision safety.**

